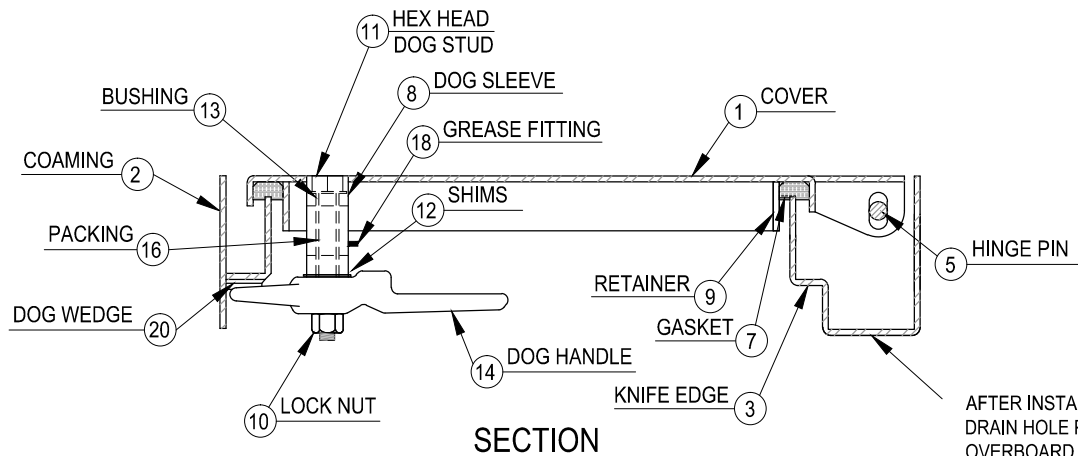
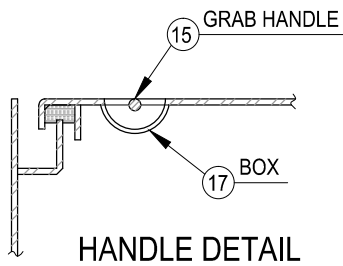


NOTES:

1. AFTER INSTALLATION, A 1" DIAMETER DRAIN HOLE MUST BE INSTALLED AT THE LOW POINT IN THE HINGE BOX AND DRAINED OVERBOARD OR TO A SUMP TO PREVENT CORROSION OR LEAKAGE. (BY OTHERS)



SCHEDULE OF MATERIALS		
PC.	MATERIAL	REMARKS
1	MILD STEEL	
2	MILD STEEL	
3	MILD STEEL	
4	MILD STEEL	
5	COLD FINISH	
6	STAINLESS	
7	NEOPRENE	
8	MILD STEEL	
9	MILD STEEL	
10	STAINLESS	
11	BRASS	
12	STAINLESS	
13	DELRIN	
14	MANGANESE BRONZE	
15	MILD STEEL	
16	TEFLON	
17	MILD STEEL	
18	PLATED STEEL	
19	MILD STEEL	
20	FORGED STEEL	
21	STAINLESS	316L ALLOY

CEN-TEX MARINE FABRICATORS, INC.

SMITHVILLE, TEXAS

WATERTIGHT FLUSH SCUTTLE

DWG. NO.: 407-MS

AFTER INSTALLATION, A 1" DRAIN HOLE PLUMBED OVERBOARD OR SUMP. (BY OTHERS)