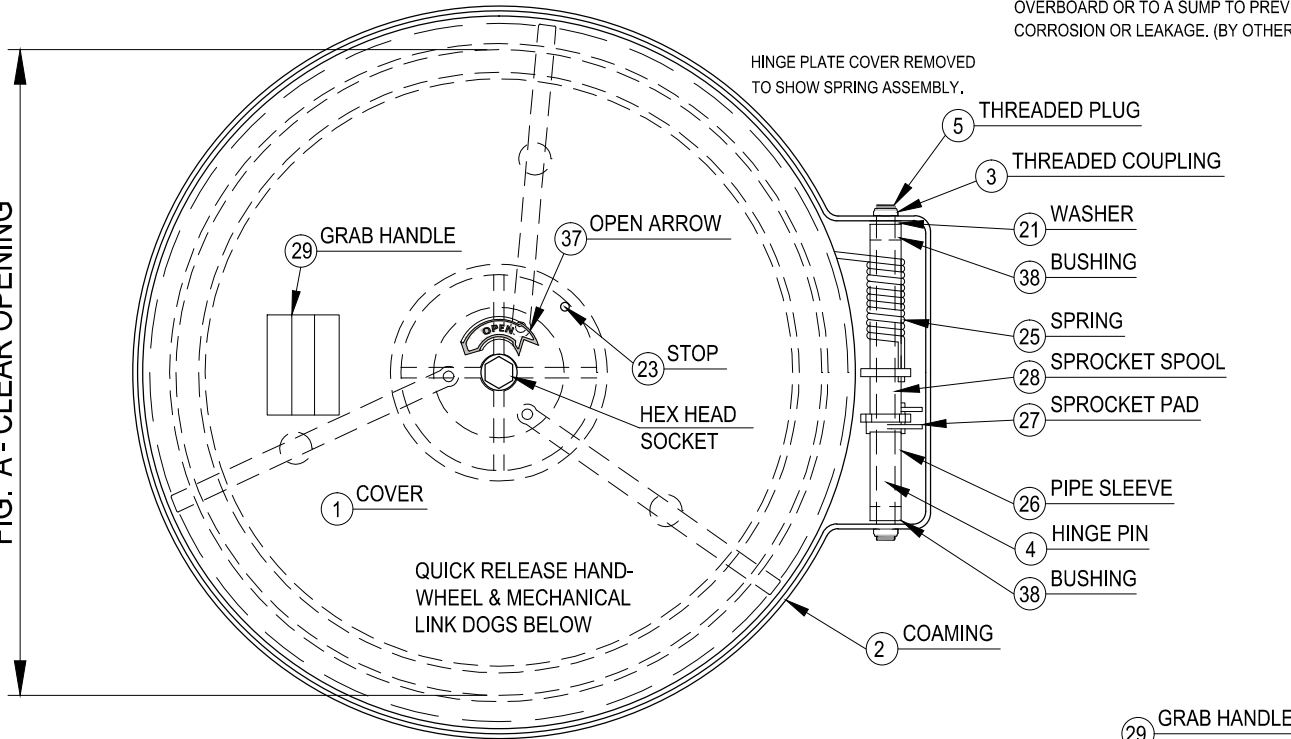


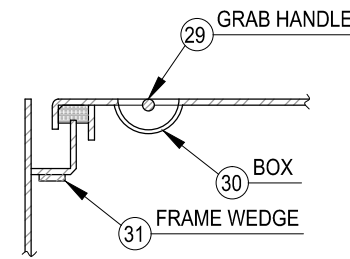
FIG. 'A'- CLEAR OPENING

NOTES:

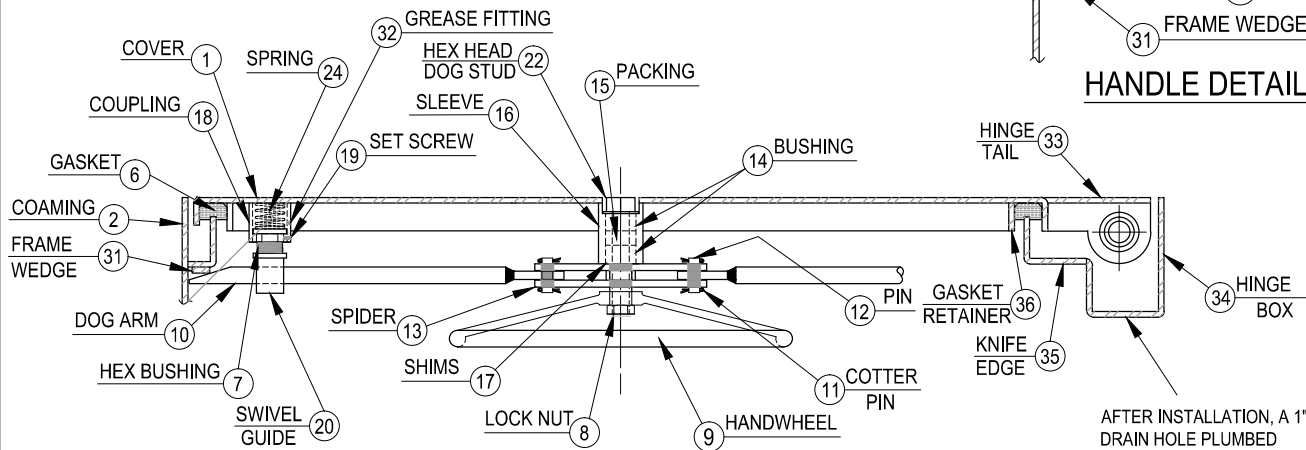
1. AFTER INSTALLATION, A 1" DIAMETER DRAIN HOLE MUST BE INSTALLED AT THE LOW POINT IN THE HINGE BOX AND DRAINED OVERBOARD OR TO A SUMP TO PREVENT CORROSION OR LEAKAGE. (BY OTHERS)



PLAN



HANDLE DETAIL



SECTION

AFTER INSTALLATION, A 1" DRAIN HOLE PLUMBED OVERBOARD OR SUMP. (BY OTHERS)

SCHEDULE OF MATERIALS

PC.	MATERIAL	REMARKS
1	MILD STEEL	
2	MILD STEEL	
3	MILD STEEL	
4	COLD FINISH	
5	STEEL	
6	NEOPRENE	
7	BRASS	
8	STAINLESS	
9	MILD STEEL	
10	COLD FINISH	
11	STAINLESS	
12	BRASS	
13	MILD STEEL	
14	DELTRIN	
15	TEFLON	
16	MILD STEEL	
17	STAINLESS	
18	MILD STEEL	
19	PLATED STEEL	
20	BRASS	
21	STAINLESS	
22	BRASS	
23	MILD STEEL	
24	PLATED STEEL	
25	STAINLESS	
26	MILD STEEL	
27	MILD STEEL	
28	MILD STEEL	
29	MILD STEEL	
30	MILD STEEL	
31	STAINLESS	
32	PLATED STEEL	
33	MILD STEEL	
34	MILD STEEL	
35	MILD STEEL	
36	MILD STEEL	
37	STAINLESS	316L ALLOY
38	BRONZE	

CEN-TEX MARINE FABRICATORS, INC.

SMITHVILLE, TEXAS

QUICK ACTING WATERTIGHT FLUSH SCUTTLE

DWG. NO.: 403-MS