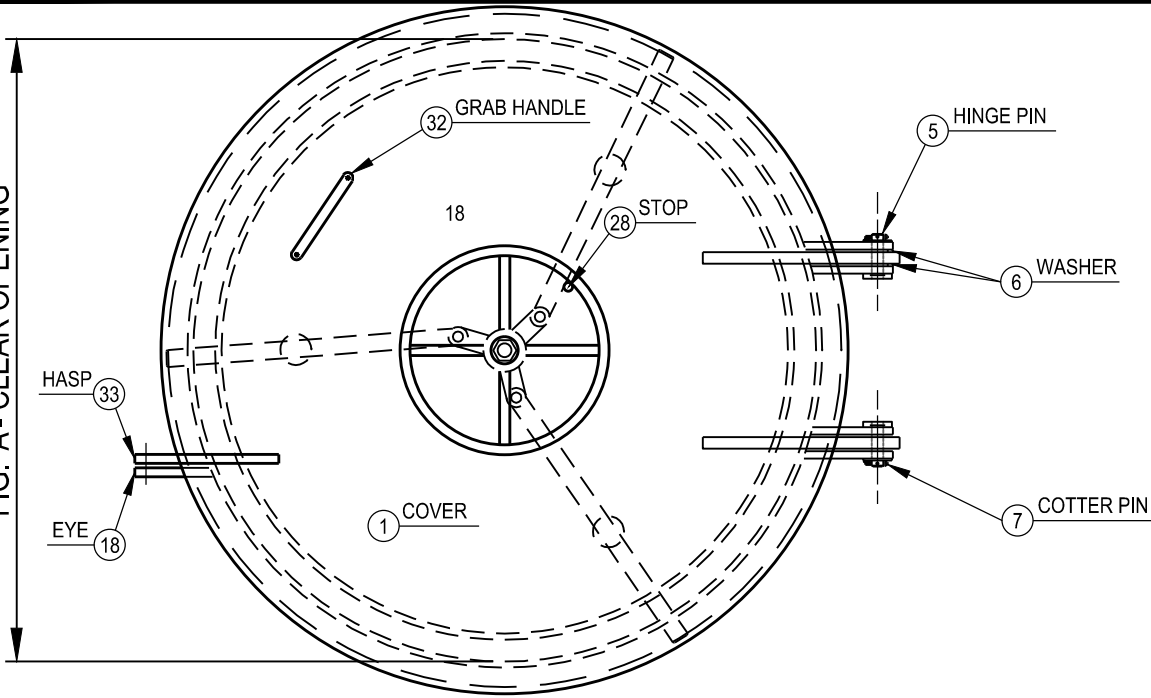
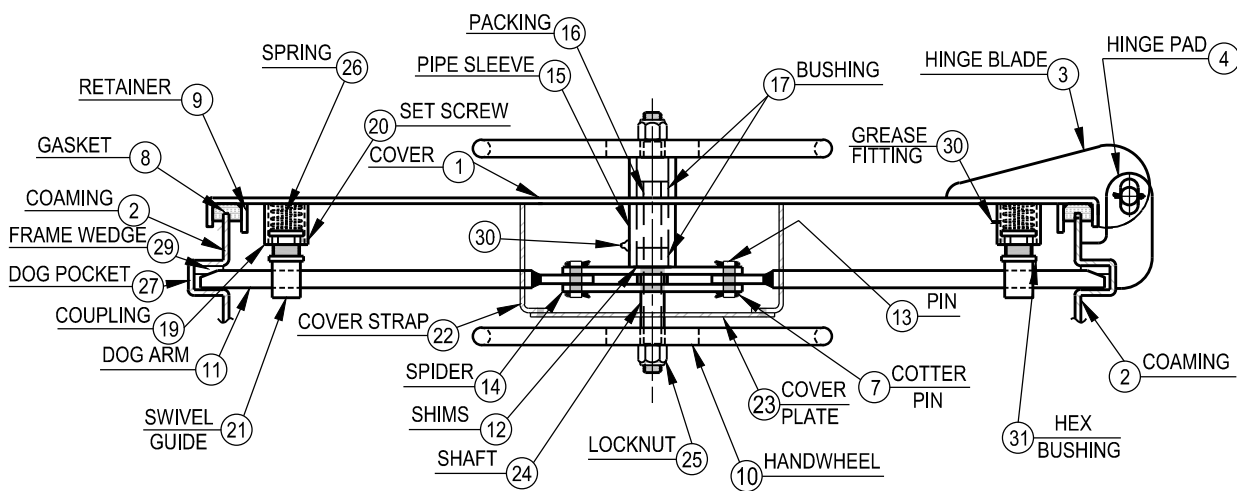


FIG. 'A'- CLEAR OPENING



PLAN



SECTION

SCHEDULE OF MATERIALS

PC.	MATERIAL	REMARKS
1	MILD STEEL	
2	MILD STEEL	
3	MILD STEEL	
4	MILD STEEL	
5	BRASS	
6	STAINLESS	
7	STAINLESS	
8	NEOPRENE	
9	MILD STEEL	
10	MILD STEEL	
11	MILD STEEL	
12	STAINLESS	
13	BRASS	
14	MILD STEEL	
15	MILD STEEL	
16	TEFLON	
17	DELFIN	
18	MILD STEEL	
19	MILD STEEL	
20	MILD STEEL	
21	BRASS	
22	MILD STEEL	
23	MILD STEEL	
24	COLD FINISH	
25	PLATED STEEL	
26	STEEL	
27	MILD STEEL	
28	MILD STEEL	
29	MILD STEEL	
30	PLATED STEEL	
31	BRASS	
32	MILD STEEL	
33	MILD STEEL	

CEN-TEX MARINE FABRICATORS, INC.

SMITHVILLE, TEXAS

RAISED QUICK ACTING WATERTIGHT ROUND SCUTTLE

DWG. NO.: 402-MS