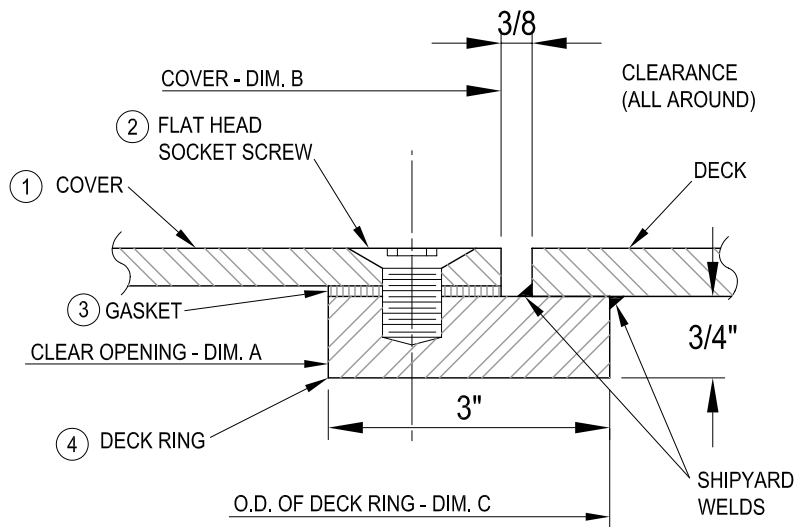


PLAN



SECTION A-A

SCHEDULE OF MATERIALS

PC.	MATERIAL	REMARKS
1	STEEL	
2	STAINLESS	
3	NEOPRENE	
4	STEEL	

DIMENSION SCHEDULE			
CLEAR OPENING	A	B	C
18"	18"	22"	24"
20"	20"	24"	26"
22"	22"	26"	28"
24"	24"	28"	30"

CEN-TEX MARINE FABRICATORS, INC.

SMITHVILLE, TEXAS

FLUSH BOLTED PLATE MANHOLE

DWG. NO.: 310-MS