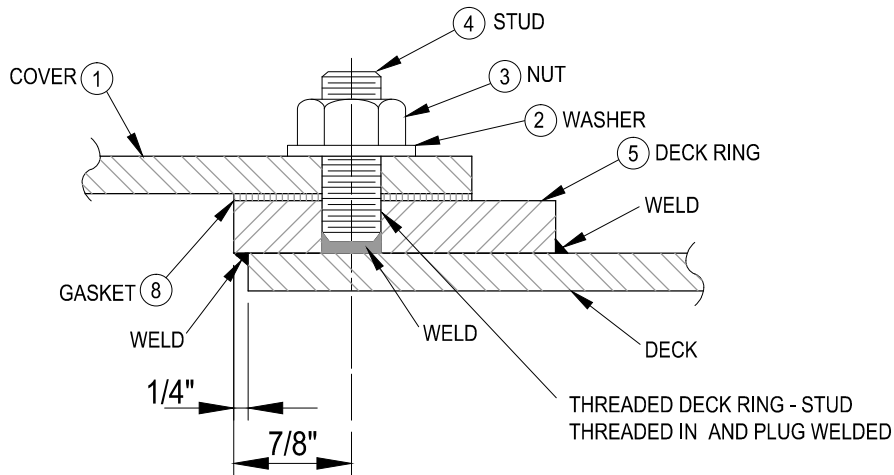
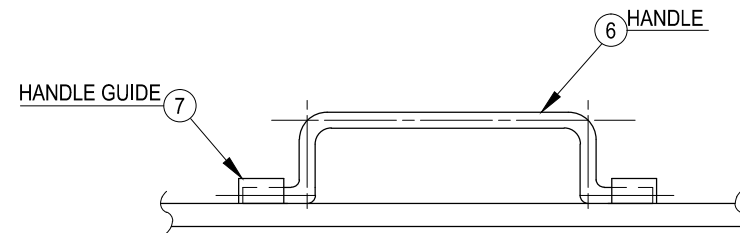


PLAN



STUD DETAIL



HANDLE DETAIL

SCHEDULE OF MATERIALS

PC.	MATERIAL	REMARKS
1	STEEL	
2	PLATED	
3	PLATED	
4	MILD STEEL	
5	STEEL	
6	STEEL	
7	STEEL	
8	NEOPRENE	

DIMENSION SCHEDULE

CLEAR OPENING	A	B	C	D	E	F	G	H	I	No. HOLES
15" X 23"	23"	24-3/4"	27"	29"	15"	16-3/4"	19"	21"	8"	20
18" X 24"	24"	25-3/4"	28"	30"	18"	19-3/4"	22"	24"	6"	20

CEN-TEX MARINE FABRICATORS, INC.

SMITHVILLE, TEXAS

BOLTED PLATE MANHOLE W/STUDS

DWG. NO.: 309-MS