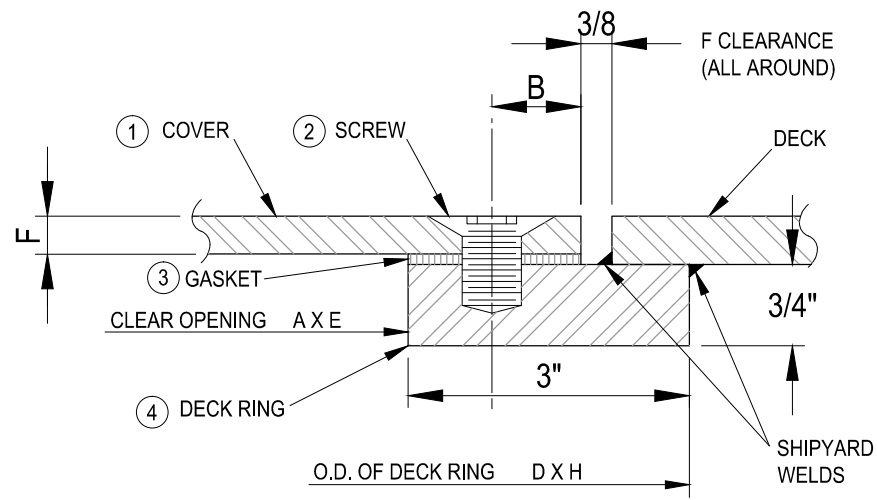


SCHEDULE OF MATERIALS		
PC.	MATERIAL	REMARKS
1	STEEL	
2	STAINLESS	
3	NEOPRENE	
4	STEEL	

DIMENSION SCHEDULE													
CLEAR OPENING	A	B	C	D	E	F	G	H	I	J	K	L	No. HOLES
15" X 23"	23"	1-1/8"	27"	29"	15"	3/8"	19"	21"	8"	7-1/2"	9-1/2"	10-1/2"	20
18" X 24"	24"	1-1/8"	28"	30"	18"	3/8"	22"	24"	6"	9"	11"	12"	20



**SECTION A-A**

**CEN-TEX MARINE FABRICATORS, INC.**  
 SMITHVILLE, TEXAS  
 FLUSH BOLTED PLATE MANHOLE  
 DWG. NO.: 303-MS