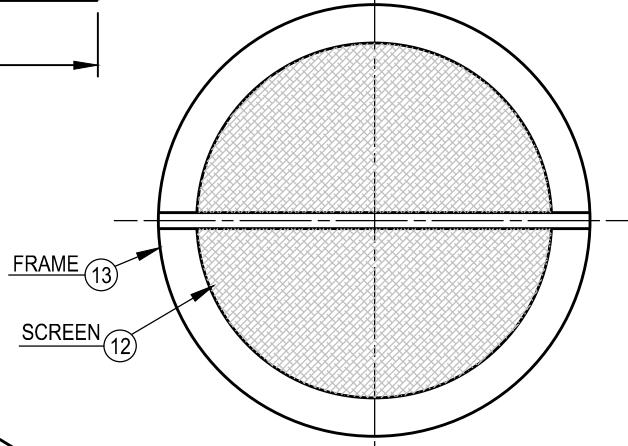
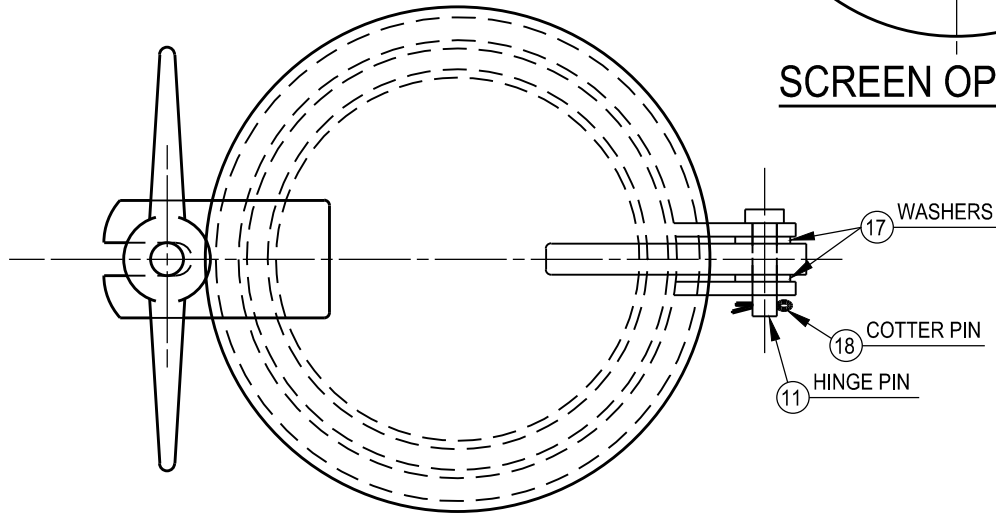


SECTION



SCREEN OPTIONAL



PLAN

SCHEDULE OF MATERIALS

PC.	MATERIAL	REMARKS
1	MILD STEEL	
2	MILD STEEL	
3	MILD STEEL	
4	MILD STEEL	
5	MILD STEEL	
6	MANGANESE BRONZE	
7	STAINLESS	
8	MANGANESE BRONZE	
9	BRASS	
10	MILD STEEL	
11	BRASS	
12	STAINLESS	
13	STAINLESS	
14	MILD STEEL	
15	NEOPRENE	
16	MILD STEEL	
17	STAINLESS	
18	STAINLESS	

CEN-TEX MARINE FABRICATORS, INC.

SMITHVILLE, TEXAS

ULLAGE HATCH

DWG. NO.: 218-MS