

FIG. "B" - INSIDE COAMING

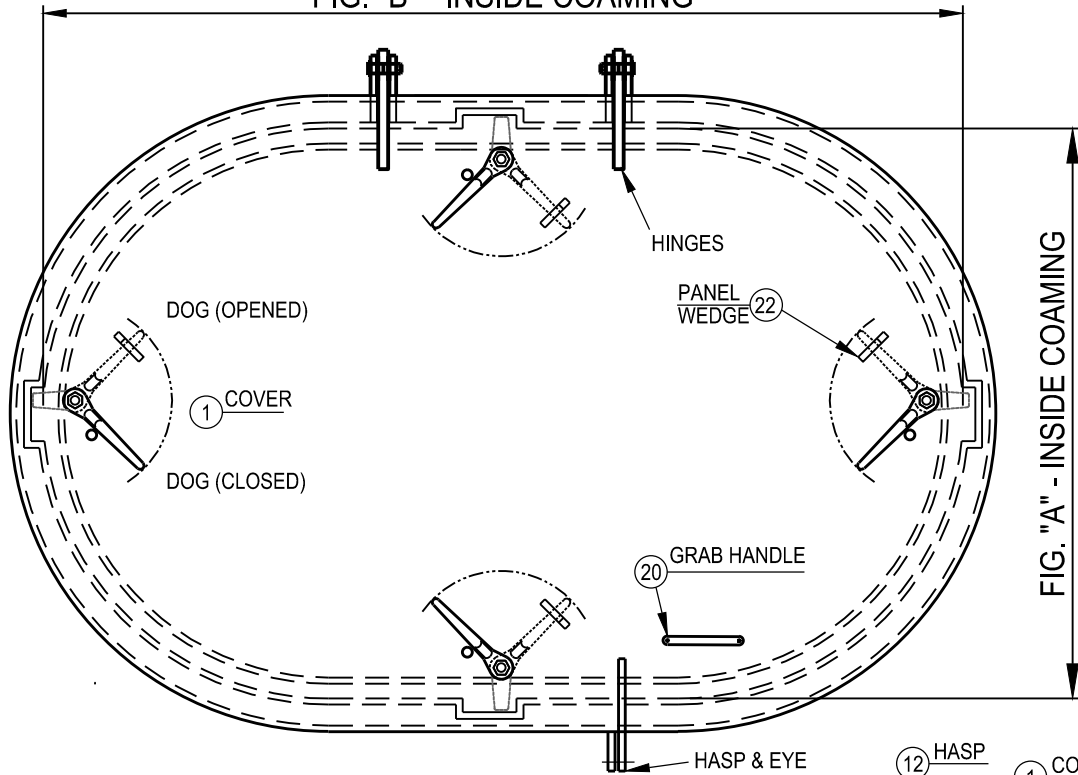
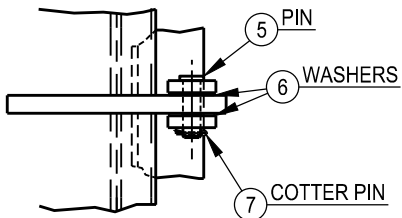
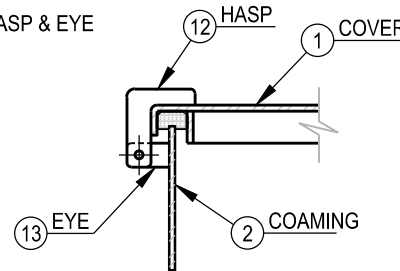


FIG. "A" - INSIDE COAMING

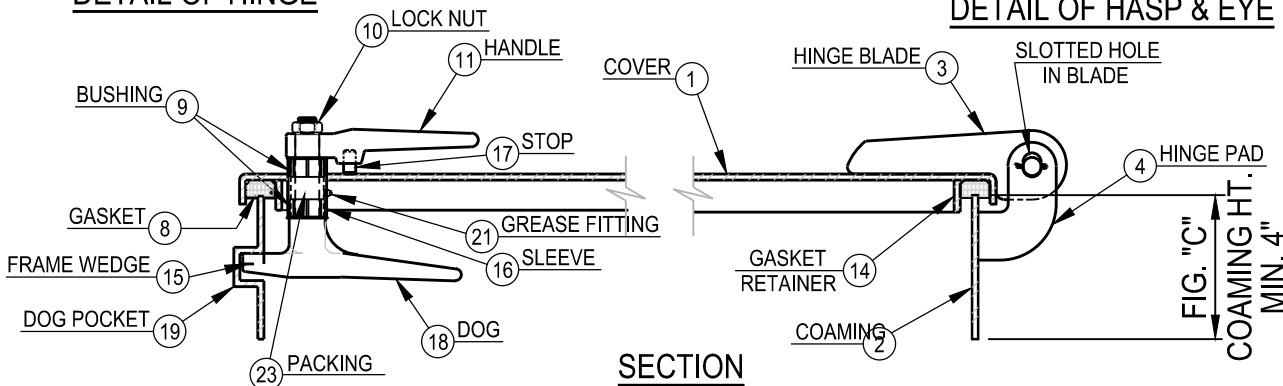
PLAN



DETAIL OF HINGE



DETAIL OF HASP & EYE



SECTION

SCHEDULE OF MATERIALS		
PC.	MATERIAL	REMARKS
1	MILD STEEL	
2	MILD STEEL	
3	MILD STEEL	
4	MILD STEEL	
5	BRASS	
6	STAINLESS	
7	STAINLESS	
8	NEOPRENE	
9	DELIRIN	
10	PLATED STEEL	
11	FORGED STEEL	
12	MILD STEEL	
13	MILD STEEL	
14	MILD STEEL	
15	FORGED STEEL	
16	MILD STEEL	
17	MILD STEEL	
18	FORGED STEEL	
19	MILD STEEL	
20	MILD STEEL	
21	PLATED STEEL	
22	MILD STEEL	
23	TEFLON	

CEN-TEX MARINE FABRICATORS, INC.

SMITHVILLE, TEXAS

WATERTIGHT HATCH WITH DOGS

DWG. NO.: 209-MS