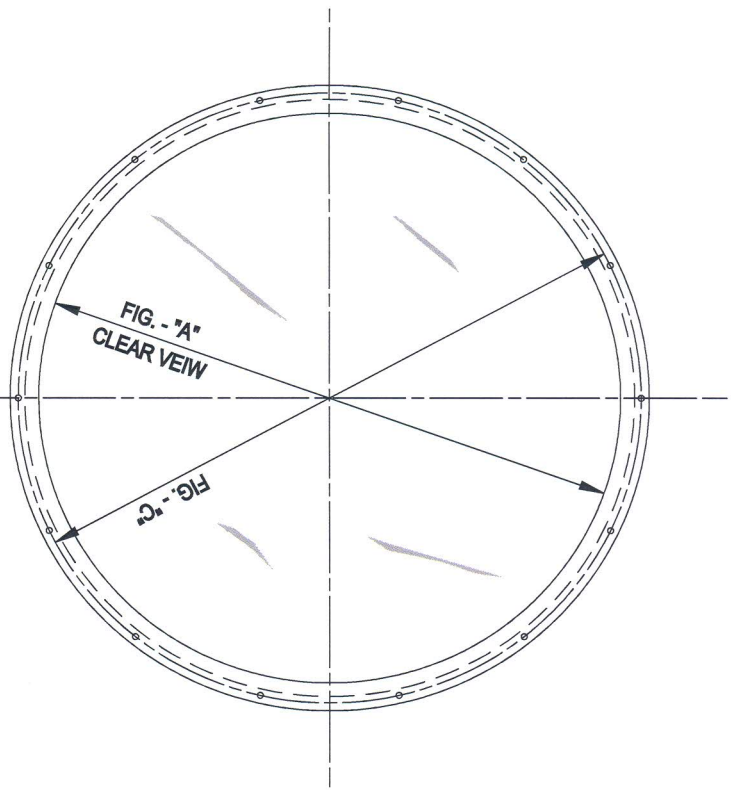
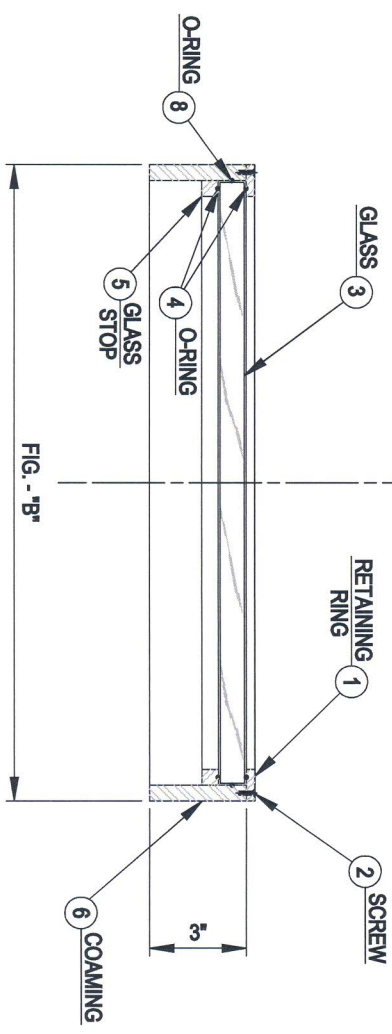


DIMENSION SCHEDULE						
SIZE:	10	12	14	16	18	
DIMS:	A	10	12	14	16	18
	B	12	14	16	18	20
	C	11 7/16	13 7/16	15 7/16	17 7/16	19 7/16
# OF HOLES:	12	12	12	12	12	16



PLAN

ALTERNATE  
RETAINER



SCHEDULE OF MATERIALS	
P.C. MATERIAL	REMARKS
1 ALUMINUM	
2 STAINLESS	10-32x3/4" LONG
3 GLASS	3/4" THK. CLEAR TEMPERED
4 NEOPRENE	3/16" Ø
5 ALUMINUM	
6 ALUMINUM	1/2" x 3"
7 ALUMINUM	
8 NEOPRENE	1/4" Ø

CEN-TEX MARINE FABRICATORS, INC.  
SMITHVILLE, TEXAS  
ALUMINUM WELD IN - FIXED LIGHT w/o COVER  
DWG. NO.: 111588-A