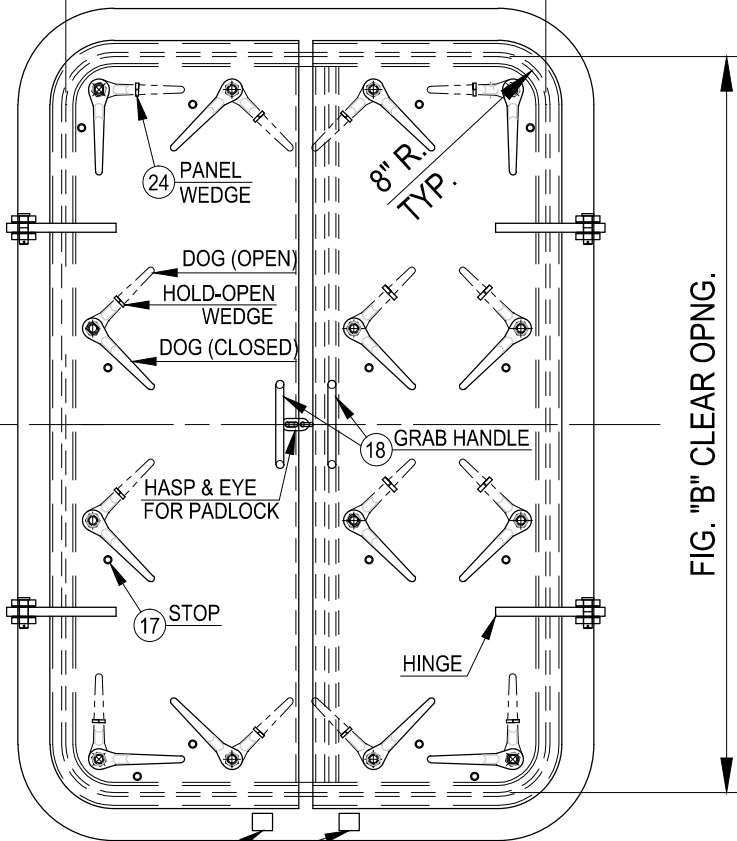
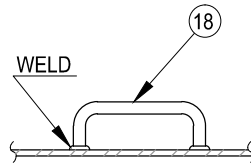


FIG. "A" CLEAR OPNG.

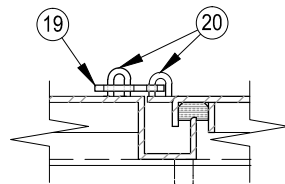


ELEVATION

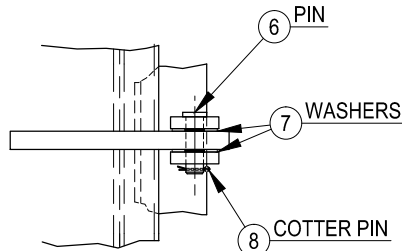
RIGHT HAND DOOR SHOWN



DETAIL OF GRAB HANDLE



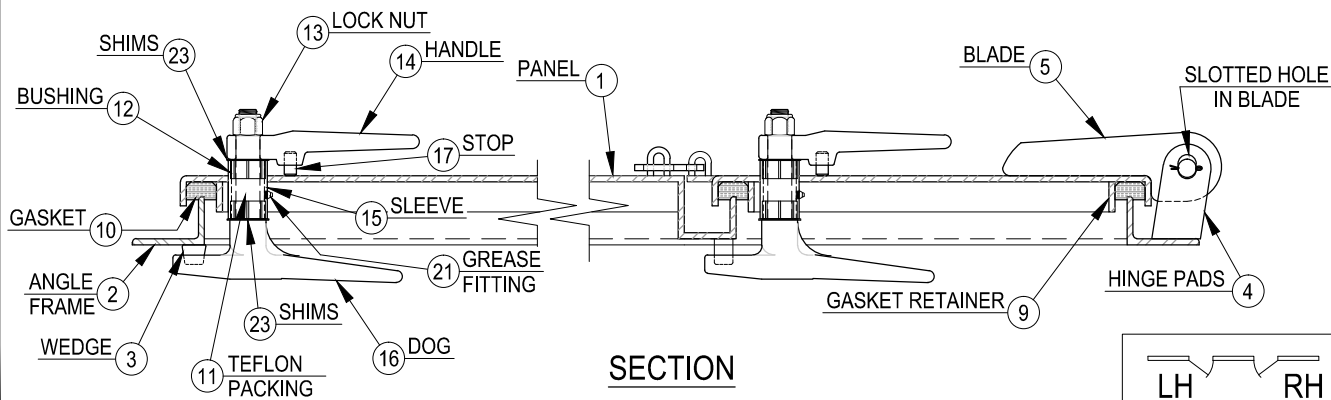
DETAIL OF HASP



DETAIL OF HINGE

SCHEDULE OF MATERIALS

PC.	MATERIAL	REMARKS
1	MILD STEEL	
2	MILD STEEL	
3	FORGED STEEL	
4	MILD STEEL	
5	MILD STEEL	
6	BRASS	
7	TEFLON	
8	STAINLESS	
9	MILD STEEL	
10	NEOPRENE	
11	TEFLON	
12	DELRIN	
13	PLATED STEEL	
14	FORGED STEEL	
15	MILD STEEL	
16	FORGED STEEL	
17	MILD STEEL	
18	MILD STEEL	
19	MILD STEEL	
20	MILD STEEL	
21	PLATED STEEL	
22	MILD STEEL	
23	STAINLESS	
24	MILD STEEL	



SECTION

LH RH

CEN-TEX MARINE FABRICATORS, INC.

SMITHVILLE, TEXAS

WATER TIGHT DOUBLE DOOR

DWG. NO.: 106-MS